



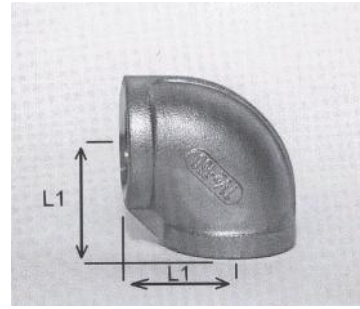
Navojni priključki iz nerjavnega jekla



Gewindefittings aus rost- und säurebeständigem Edelstahl

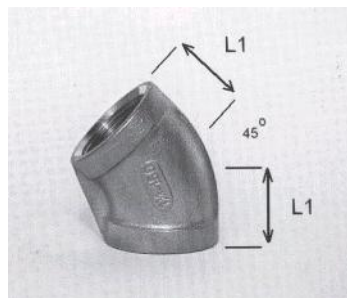
Stainless steel screwed fittings

KOLENO 90°
WINKEL 90°
ELBOW 90°



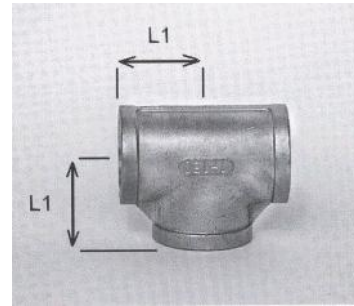
DN/NW	Navoj Gewinde Threading	L1 (ca.)	AISI 316TI W.Nr.: 1.4571
6	1/8 "	21mm	●
8	1/4 "	21mm	●
10	3/8 "	25mm	●
15	1/2 "	28mm	●
20	3/4 "	33mm	●
25	1"	38mm	●
32	1 1/4 "	45mm	●
40	1 1/2 "	50mm	●
50	2"	58mm	●
65	2 1/2 "	75mm	●
80	3"	85mm	●
100	4"	105mm	●

KOLENO 45°
WINKEL 45°
ELBOW 45°



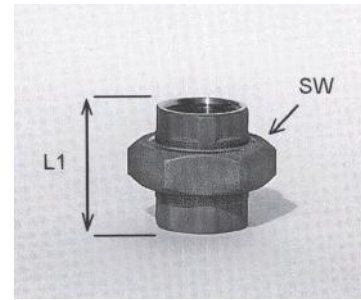
DN/NW	Navoj Gewinde Threading	L1 (ca.)	AISI 316TI W.Nr.: 1.4571
6	1/8 "	19mm	●
8	1/4 "	19mm	●
10	3/8 "	21mm	●
15	1/2 "	22mm	●
20	3/4 "	25mm	●
25	1"	29mm	●
32	1 1/4 "	33mm	●
40	1 1/2 "	36mm	●
50	2"	43mm	●
65	2 1/2 "	49mm	●
80	3"	54mm	●
100	4"	65mm	●

T-KOS
T-STÜCK
 TEE F/F



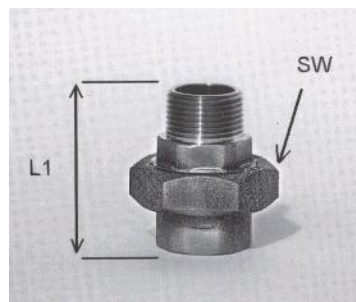
DN/NW	Navoj Gewinde Threading	L1 (ca.)	AISI 316TI W.Nr.: 1.4571
6	1/8 "	19mm	●
8	1/4 "	21mm	●
10	3/8 "	25mm	●
15	1/2 "	28mm	●
20	3/4 "	33mm	●
25	1"	38mm	●
32	1 1/4 "	45mm	●
40	1 1/2 "	50mm	●
50	2"	58mm	●
65	2 1/2 "	70mm	●
80	3"	80mm	●
100	4"	96mm	●

HOLANDSKI NAVOJ
VERSCHRAUBUNG I/I, FL./KON.
UNION F/F, FLAT/CON. SEAT



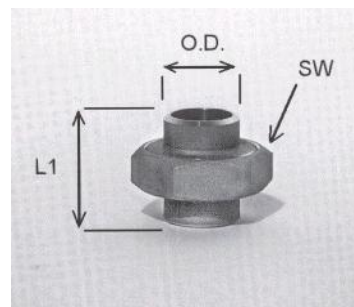
DN/NW	Navoj Gewinde Threading	Sw (ca.)	L1 (ca.)	AISI 316Ti W.Nr.: 1.4571
6	1/8 "	25mm	30,5mm	●
8	1/4 "	31mm	34mm	●
10	3/8 "	37mm	38mm	●
15	1/2 "	42mm	41mm	●
20	3/4 "	50mm	43mm	●
25	1"	59mm	51,5mm	●
32	1 1/4 "	69mm	54,5mm	●
40	1 1/2 "	78mm	58,5mm	●
50	2"	93mm	65,5mm	●
65	2 1/2 "	112mm	83mm	●
80	3"	127mm	92mm	●
100	4"	158mm	112,5mm	●

HOLANDSKI NAVOJ Z/N
VERSCHRAUBUNG I/A, FLACH/KON.
UNION F/M, FLAT/CON. SEAT



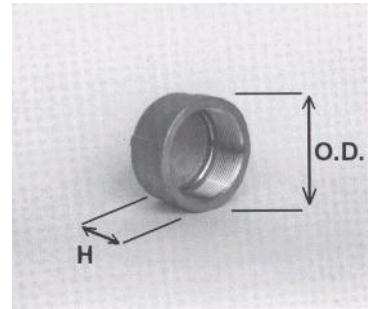
DN/NW	Navoj Gewinde Threading	Sw (ca.)	L1 (ca.)	AISI 316Ti W.Nr.: 1.4571
6	1/8 "	25mm	40,5mm	●
8	1/4 "	31mm	45mm	●
10	3/8 "	37mm	52mm	●
15	1/2 "	42mm	57mm	●
20	3/4 "	50mm	61mm	●
25	1"	59mm	70,5mm	●
32	1 1/4 "	69mm	75,5mm	●
40	1 1/2 "	78mm	80,5mm	●
50	2"	93mm	89,5mm	●
65	2 1/2 "	112mm	111mm	●
80	3"	127mm	122mm	●
100	4"	158mm	149,5mm	●

HOLANDSKI NAVOJ VARILNI
VERSCHRAUBUNG S/S, FLACH/KON.
UNION. BUTT WELD ENDS, CON./FL.



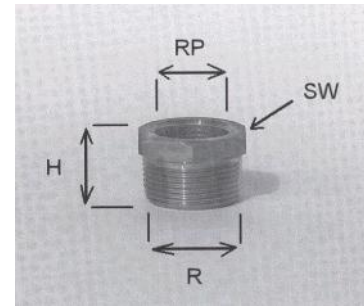
DN/NW	O.D. (ca.)	Sw (ca.)	L1 (ca.)	AISI 316Ti W.Nr.: 1.4571
6	10,2mm	25mm	30,5mm	●
8	13,5mm	31mm	34mm	●
10	17,2mm	37mm	38mm	●
15	21,3mm	42mm	41mm	●
20	26,9mm	50mm	43mm	●
25	33,7mm	59mm	51,5mm	●
32	42,4mm	69mm	54,5mm	●
40	48,3mm	78mm	58,5mm	●
50	60,3mm	93mm	65,5mm	●
65	76,1mm	112mm	83mm	●
80	88,9mm	127mm	93mm	●
100	114,3mm	158mm	112,5mm	●

ČEP OKROGLI
RUNDKAPPE
ROUND CAP



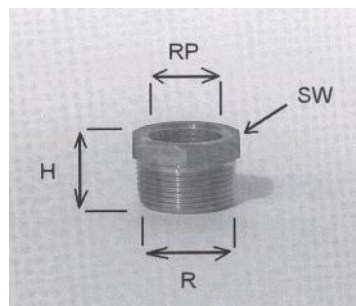
DN/NW	Navoj Gewinde Threading	O.D. (ca.)	H (ca.)	AISI 316Ti W.Nr.: 1.4571
6	1/8 "	16mm	13mm	●
8	1/4 "	19,5mm	15mm	●
10	3/8 "	23,5mm	17mm	●
15	1/2 "	29mm	19mm	●
20	3/4 "	35,5mm	22mm	●
25	1"	42,5mm	24mm	●
32	1 1/4 "	52mm	27mm	●
40	1 1/2 "	59mm	27mm	●
50	2"	72mm	32mm	●
65	2 1/2 "	88mm	35mm	●
80	3"	102mm	38mm	●
100	4"	128mm	45mm	●

6-R. REDUCIR N/Z
6-KT REDUZIERSTÜCK
 HEXAGONAL BUSHING



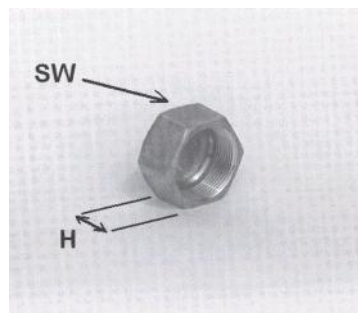
DN/NW	Navoj Gewinde Threading		Sw (ca.)	H (ca.)	AISI 316TI W.Nr.: 1.4571
	R	RP			
8	1/4 "	1/8 "	15mm	15mm	●
10	3/8 "	1/8 "	19mm	17mm	●
10	3/8 "	1/4 "	19mm	17mm	●
15	1/2 "	1/8 "	23mm	20mm	●
15	1/2 "	1/4 "	23mm	20mm	●
15	1/2 "	3/8 "	23mm	24mm	●
20	3/4 "	1/8 "	29mm	24mm	●
20	3/4 "	1/4 "	29mm	24mm	●
20	3/4 "	3/8 "	29mm	24mm	●
20	3/4 "	1/2 "	29mm	24mm	●
25	1"	1/4 "	36mm	27mm	●
25	1"	3/8 "	36mm	27mm	●
25	1"	1/2 "	36mm	27mm	●
25	1"	3/4 "	36mm	27mm	●
32	1 1/4 "	1/4 "	45mm	31mm	●
32	1 1/4 "	3/8 "	45mm	31mm	●
32	1 1/4 "	1/2 "	45mm	31mm	●
32	1 1/4 "	3/4 "	45mm	31mm	●
32	1 1/4 "	1"	45mm	31mm	●
40	1 1/2 "	1/4 "	50mm	33mm	●
40	1 1/2 "	3/8 "	50mm	33mm	●
40	1 1/2 "	1/2 "	50mm	33mm	●

6-R. REDUCIR N/Z
6-KT REDUZIERSTÜCK
 HEXAONAL BUSHING



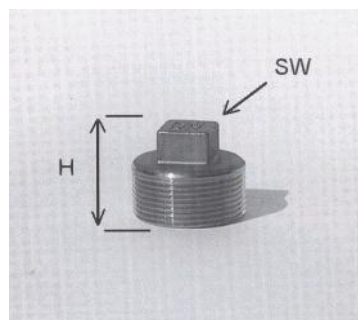
DN/NW	Navoj Gewinde Threading		Sw (ca.)	H (ca.)	AISI 316TI W.Nr.: 1.4571
	R	RP			
40	1 1/2 "	3/4 "	50mm	33mm	●
40	1 1/2 "	1 "	50mm	33mm	●
40	1 1/2 "	1 1/4 "	50mm	33mm	●
50	2"	1/4 "	63mm	38mm	●
50	2"	3/8 "	63mm	38mm	●
50	2"	1/2 "	63mm	89,5mm	●
50	2"	3/4 "	63mm	38mm	●
50	2"	1 "	63mm	38mm	●
50	2"	1 1/4 "	63mm	38mm	●
50	2"	1 1/2 "	63mm	38mm	●
65	2 1/2 "	1/2 "	78mm	43mm	●
65	2 1/2 "	3/4 "	78mm	43mm	●
65	2 1/2 "	1 "	78mm	43mm	●
65	2 1/2 "	1 1/4 "	78mm	43mm	●
65	2 1/2 "	1 1/2 "	78mm	43mm	●
65	2 1/2 "	2 "	78mm	43mm	●
80	3"	1 "	91mm	48mm	●
80	3"	1 1/4 "	91mm	48mm	●
80	3"	1 1/2 "	91mm	48mm	●
80	3"	2 "	91mm	48mm	●
80	3"	2 1/2 "	91mm	48mm	●
100	4"	3 "	158mm	58mm	●

6-R. ČEP
6-KT. KAPPE
HEXAGONAL CAP



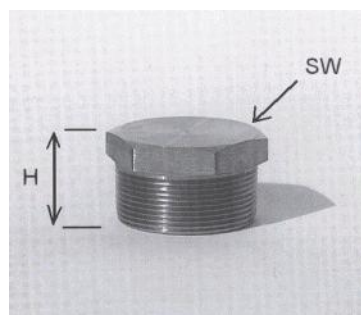
DN/NW	Navoj Gewinde Threading	SW (ca.)	H (ca.)	AISI 316Ti W.Nr.: 1.4571
6	1/8 "	13mm	13mm	●
8	1/4 "	17mm	15mm	●
10	3/8 "	21mm	17mm	●
15	1/2 "	26mm	19mm	●
20	3/4 "	32mm	22mm	●
25	1"	40mm	24mm	●
32	1 1/4 "	48mm	27mm	●
40	1 1/2 "	55mm	27mm	●
50	2"	69mm	32mm	●
65	2 1/2 "	85mm	35mm	●
80	3"	99mm	38mm	●
100	4"	125mm	45mm	●

4-R. ČEP
4-KT. STOPFEN
SQUARE PLUG



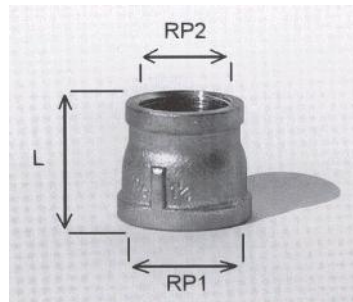
DN/NW	Navoj Gewinde Threading	SW (ca.)	H (ca.)	AISI 316Ti W.Nr.: 1.4571
6	1/8 "	6mm	16mm	●
8	1/4 "	8mm	19mm	●
10	3/8 "	10mm	22mm	●
15	1/2 "	14mm	25mm	●
20	3/4 "	17mm	28mm	●
25	1"	19mm	31mm	●
32	1 1/4 "	23mm	35mm	●
40	1 1/2 "	26mm	36mm	●
50	2"	32mm	41mm	●
65	2 1/2 "	41mm	48mm	●
80	3"	46mm	53mm	●
100	4"	58mm	62mm	●

6-R. ČEP Z. NAVOJ
6-KT. STOPFEN
 HEXAGONAL PLUG



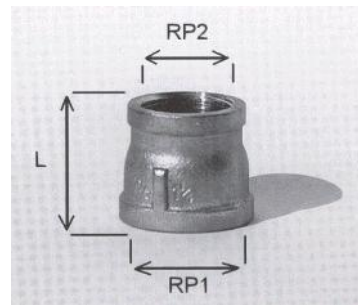
DN/NW	Navoj Gewinde Threading	SW (ca.)	H (ca.)	AISI 316Ti W.Nr.: 1.4571
6	1/8 "	12mm	13mm	●
8	1/4 "	15mm	15mm	●
10	3/8 "	19mm	17mm	●
15	1/2 "	23mm	20mm	●
20	3/4 "	29mm	24mm	●
25	1"	36mm	27mm	●
32	1 1/4 "	45mm	31mm	●
40	1 1/2 "	50mm	33mm	●
50	2"	63mm	38mm	●
65	2 1/2 "	78mm	43mm	●
80	3"	91mm	48mm	●
100	4"	116mm	58mm	●

REDUCIR NOTRANJI NAVOJ (MUFA)
REDUZIERMUFFE
REDUCING SOCKET



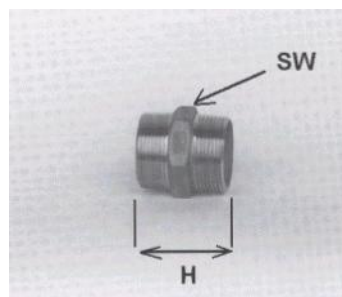
DN/NW	Navoj Gewinde Threading		L (ca.)	AISI 316TI W.Nr.: 1.4571
	RP1	RP2		
8	1/4 "	1/8 "	19,5mm	●
10	3/8 "	1/8 "	23,5mm	●
10	3/8 "	1/4 "	23,5mm	●
15	1/2 "	1/8 "	29mm	●
15	1/2 "	1/4 "	29mm	●
15	1/2 "	3/8 "	29mm	●
20	3/4 "	1/8 "	35,5mm	●
20	3/4 "	1/4 "	35,5mm	●
20	3/4 "	3/8 "	35,5mm	●
20	3/4 "	1/2 "	35,5mm	●
25	1"	1/4 "	42,5mm	●
25	1"	3/8 "	42,5mm	●
25	1"	1/2 "	42,5mm	●
25	1"	3/4 "	42,5mm	●
32	1 1/4 "	1/4 "	52mm	●
32	1 1/4 "	3/8 "	52mm	●
32	1 1/4 "	1/2 "	52mm	●
32	1 1/4 "	3/4 "	52mm	●
32	1 1/4 "	1 "	52mm	●

REDUCIR NOTRANJI NAVOJ (MUFA)
REDUZIERMUFFE
REDUCING SOCKET



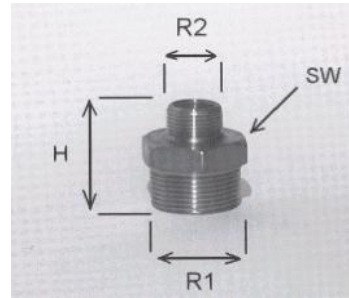
DN/NW	Navoj Gewinde Threading		L (ca.)	AISI 316TI W.Nr.: 1.4571
	RP1	RP2		
40	1 1/2 "	3/8 "	69mm	●
40	1 1/2 "	1/2 "	69mm	●
40	1 1/2 "	3/4 "	69mm	●
40	1 1/2 "	1 "	69mm	●
40	1 1/2 "	1 1/4 "	69mm	●
50	2"	3/8 "	72mm	●
50	2"	1/2 "	72mm	●
50	2"	3/4 "	72mm	●
50	2"	1 "	72mm	●
50	2"	1 1/4 "	72mm	●
50	2"	1 1/2 "	72mm	●
65	2 1/2 "	1 "	89mm	●
65	2 1/2 "	1 1/4 "	89mm	●
65	2 1/2 "	1 1/2 "	89mm	●
65	2 1/2 "	2 "	89mm	●
80	3"	1 "	103mm	●
80	3"	1 1/4 "	103mm	●
80	3"	1 1/2 "	103mm	●
80	3"	2 "	103mm	●
80	3"	2 1/2 "	103mm	●
100	4"	3 "	130mm	●

6-R. CEVNI DVOJNI NAVOJ
6-KT. DOPPELNIPPEL
 HEXAGONAL NIPPLE



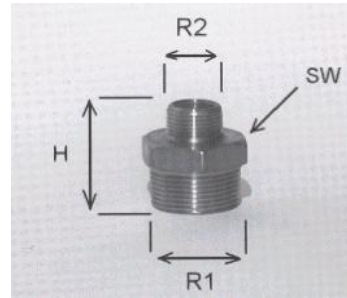
DN/NW	Navoj Gewinde Threading	SW (ca.)	H (ca.)	AISI 316Ti W.Nr.: 1.4571
6	1/8 "	12mm	22mm	●
8	1/4 "	15mm	30mm	●
10	3/8 "	19mm	31mm	●
15	1/2 "	23mm	39mm	●
20	3/4 "	29mm	44mm	●
25	1"	36mm	50mm	●
32	1 1/4 "	45mm	54mm	●
40	1 1/2 "	50mm	54mm	●
50	2"	63mm	65mm	●
65	2 1/2 "	78mm	70mm	●
80	3"	91mm	76mm	●
100	4"	116mm	92mm	●

6-R. REDUCIR Z/Z
6-KT. REDUZIERDOPPELNIPPEL
HEXAGONAL REDUCING NIPPLE



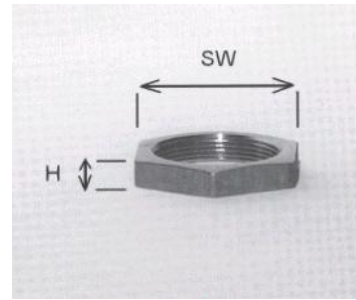
DN/NW	Navoj Gewinde Threading		SW (ca.)	H (ca.)	AISI 316TI W.Nr.: 1.4571
	R1	R2			
8	1/4 "	1/8 "	15mm	29mm	●
10	3/8 "	1/8 "	19mm	33mm	●
10	3/8 "	1/4 "	19mm	33mm	●
15	1/2 "	1/8 "	23mm	37mm	●
15	1/2 "	1/4 "	23mm	37mm	●
15	1/2 "	3/8 "	23mm	37mm	●
20	3/4 "	1/8 "	29mm	44mm	●
20	3/4 "	1/4 "	29mm	44mm	●
20	3/4 "	3/8 "	29mm	44mm	●
20	3/4 "	1/2 "	29mm	44mm	●
25	1"	1/4 "	36mm	46mm	●
25	1"	3/8 "	36mm	46mm	●
25	1"	1/2 "	36mm	46mm	●
25	1"	3/4 "	36mm	46mm	●
32	1 1/4 "	1/4 "	45mm	49mm	●
32	1 1/4 "	3/8 "	45mm	49mm	●
32	1 1/4 "	1/2 "	45mm	49mm	●
32	1 1/4 "	3/4 "	45mm	49mm	●
32	1 1/4 "	1 "	45mm	49mm	●

6-R. REDUCIR Z/Z
6-KT. REDUZIERDOPPELNIPPEL
HEXAGONAL REDUCING NIPPLE



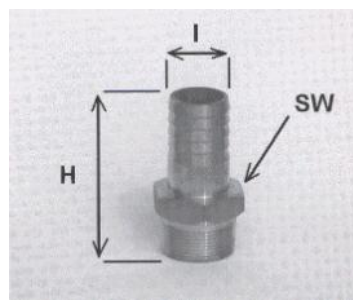
DN/NW	Navoj Gewinde Threading		SW (ca.)	H (ca.)	AISI 316TI W.Nr.: 1.4571
	R1	R2			
40	1 1/2 "	3/8 "	50mm	56mm	●
40	1 1/2 "	1/2 "	50mm	56mm	●
40	1 1/2 "	3/4 "	50mm	56mm	●
40	1 1/2 "	1 "	50mm	56mm	●
40	1 1/2 "	1 1/4 "	50mm	56mm	●
50	2"	3/8 "	63mm	65mm	●
50	2"	1/2 "	63mm	65mm	●
50	2"	3/4 "	63mm	65mm	●
50	2"	1 "	63mm	65mm	●
50	2"	1 1/4 "	63mm	65mm	●
50	2"	1 1/2 "	63mm	65mm	●
65	2 1/2 "	1 "	78mm	71mm	●
65	2 1/2 "	1 1/4 "	78mm	71mm	●
65	2 1/2 "	1 1/2 "	78mm	71mm	●
65	2 1/2 "	2 "	78mm	71mm	●
80	3"	2 "	91mm	80mm	●
80	3"	2 1/2 "	91mm	80mm	●
100	4"	3 "	116mm	90mm	●

6-R. MATICA DIN 431
6-KT. MUTTER DIN 431
 HEXAGONAL NUT ACC. TO DIN 431



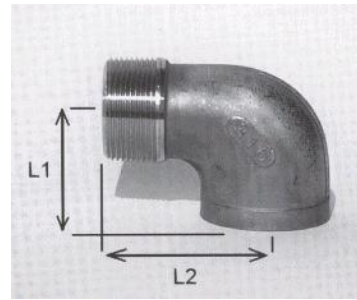
DN/NW	Navoj Gewinde Threading	SW (ca.)	H (ca.)	AISI 316Ti W.Nr.: 1.4571
6	1/8 "	19mm	6mm	●
8	1/4 "	22mm	6mm	●
10	3/8 "	27mm	7mm	●
15	1/2 "	32mm	8mm	●
20	3/4 "	36mm	9mm	●
25	1"	46mm	10mm	●
32	1 1/4 "	55mm	11mm	●
40	1 1/2 "	60mm	12mm	●
50	2"	75mm	13mm	●
65	2 1/2 "	95mm	16mm	●
80	3"	105mm	19mm	●
100	4"	135mm	22mm	●

6-R. SMREČICA Z NAVOJEM
6-KT. SCHLAUCHNIPPEL
 HEXAGONAL HOSE NIPPLE



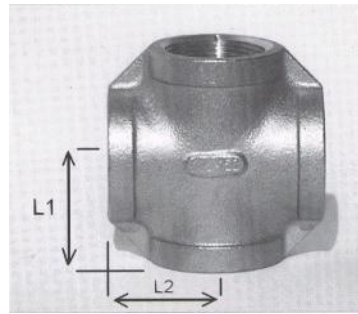
DN/NW	Navoj Gewinde Threading	I (ca.)	SW (ca.)	H (ca.)	AISI 316Ti W.Nr.: 1.4571
6	1/8 "	7mm	19mm	6mm	●
8	1/4 "	9mm	22mm	6mm	●
10	3/8 "	11mm	27mm	7mm	●
15	1/2 "	13mm	32mm	8mm	●
20	3/4 "	20mm	36mm	9mm	●
25	1"	26mm	46mm	10mm	●
32	1 1/4 "	33mm	55mm	11mm	●
40	1 1/2 "	39mm	60mm	12mm	●
50	2"	52mm	75mm	13mm	●
65	2 1/2 "	63mm	95mm	16mm	●
80	3"	76mm	105mm	19mm	●
100	4"				●

KOLENO 90° N/Z
WINKEL 90° I/A
ELBOW 90° M/F



DN/NW	Navoj Gewinde Threading	L1 (ca.)	L2 (ca.)	AISI 316Ti W.Nr.: 1.4571
6	1/8 "	21mm	26mm	●
8	1/4 "	21mm	30mm	●
10	3/8 "	25mm	36mm	●
15	1/2 "	28mm	41mm	●
20	3/4 "	33mm	48mm	●
25	1"	38mm	54mm	●
32	1 1/4 "	45mm	62mm	●
40	1 1/2 "	50mm	68mm	●
50	2"	58mm	80mm	●
65	2 1/2 "	75mm	92mm	●
80	3"	85mm	104mm	●
100	4"	105mm	126mm	●

KRIŽNI KOS N/N
KREUZSTÜCK I/I
CROSSING F/F



DN/NW	Navoj Gewinde Threading	L1 (ca.)	L2 (ca.)	AISI 316Ti W.Nr.: 1.4571
6	1/8 "	20mm	20mm	●
8	1/4 "	20mm	20mm	●
10	3/8 "	24mm	24mm	●
15	1/2 "	28mm	28mm	●
20	3/4 "	33mm	33mm	●
25	1"	38mm	38mm	●
32	1 1/4 "	45mm	45mm	●
40	1 1/2 "	49mm	49mm	●
50	2"	57mm	57mm	●
65	2 1/2 "	69mm	69mm	●
80	3"	78mm	78mm	●
100	4"	96mm	96mm	●